

Ultrasonic Flow Sensor Specification

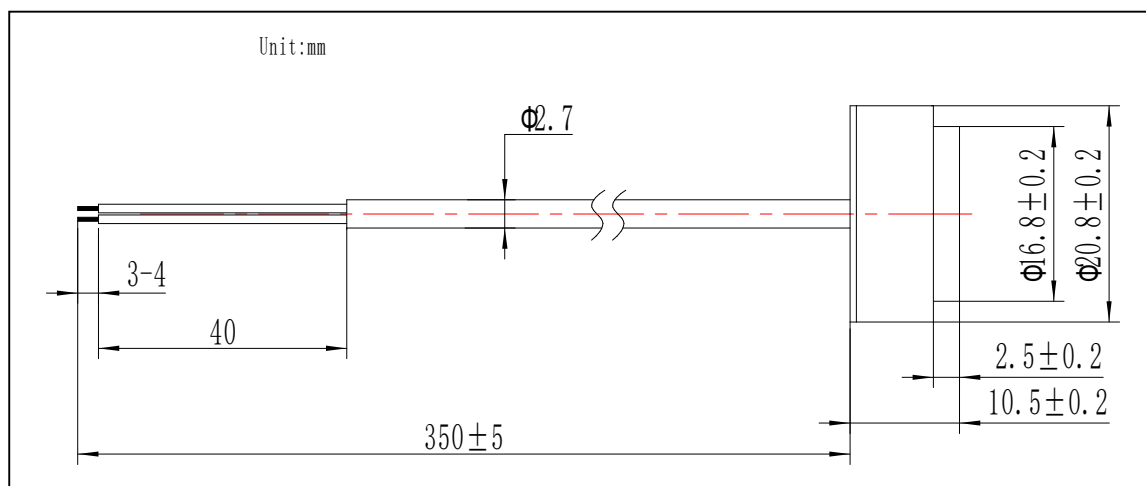
1. 产品型号 (Product model) : JYUF-TD001L037-01

2. 产品名称 (Product Name): TD001-011

3. 性能参数 (Electronic Performance)

Item	Unit	Standard	Test condition (25°C)
谐振频率 Thick resonance frequency	KHz	960±30	Impedance Analyzer
谐振阻抗 Resonant impedance	Ω	≤110	Impedance Analyzer
静态电容 Static capacitance	pF	1100±20%	LCR at:1000Hz/1V
工作温度 Operating temperature	°C	+0.1~+70	Working in water
储存温度 Storage temperature	°C	-25~+85	
最大输入电压 Max Input Voltage	Vpp	20	
最大工作压力 Max Pressure	Mpa	3.2	

4. 外形尺寸 (Appearance and Dimensions) :



5. 包装 (Packing) :

PCS/CTN	Carton Size(CM)	Cross weight(kg)	Net weight (Kg)
600	57*33*27	8.5	7.2

6. 注意事项 (Note) :

- 1) 产品可使用在液体中, 也可以在外夹式流量测试中使用, 不能在空气中使用。

The product can be used in liquid medium, also used in out-clamped ultrasonic flowmeter measuring, but not in the air medium.

- 2) 设计驱动电路时须考虑信号干扰, 以及电阻匹配。

Please consider to add Anti interference function and resistance matching in drive circuit design.

- 3) 为了防止产品可能出现工作失效、性能退化, 应避免在如下或类似条件下使用。

Please do not use the product under the below conditions to avoid any fault or performance degradation.

a. 强烈的冲击或者振动 (Strong impact or vibration)

b. 有溶解性有机物的环境内 (Soluble organic matter environment)

c. 超过允许输入电压 (20Vpp) (Over maximum input voltage-20VPP)

d. 超过允许工作压力 (3.2MPa) (Over maximum pressure-3.2MPa)